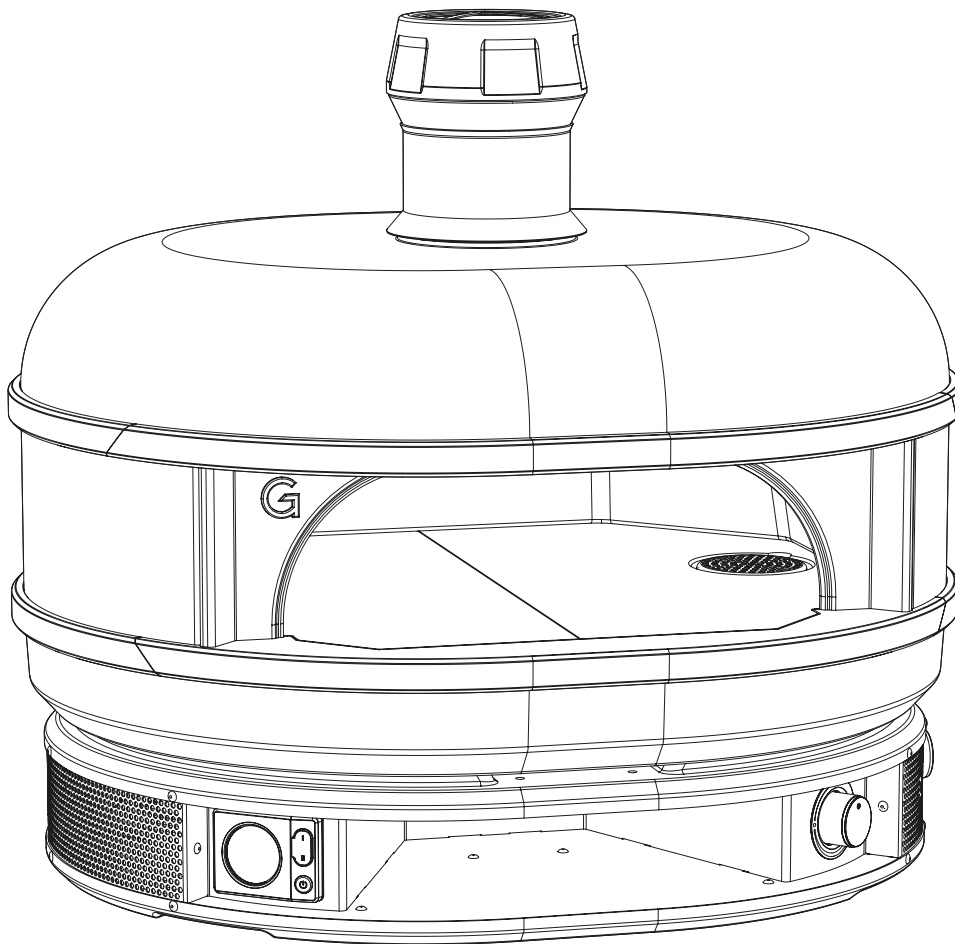


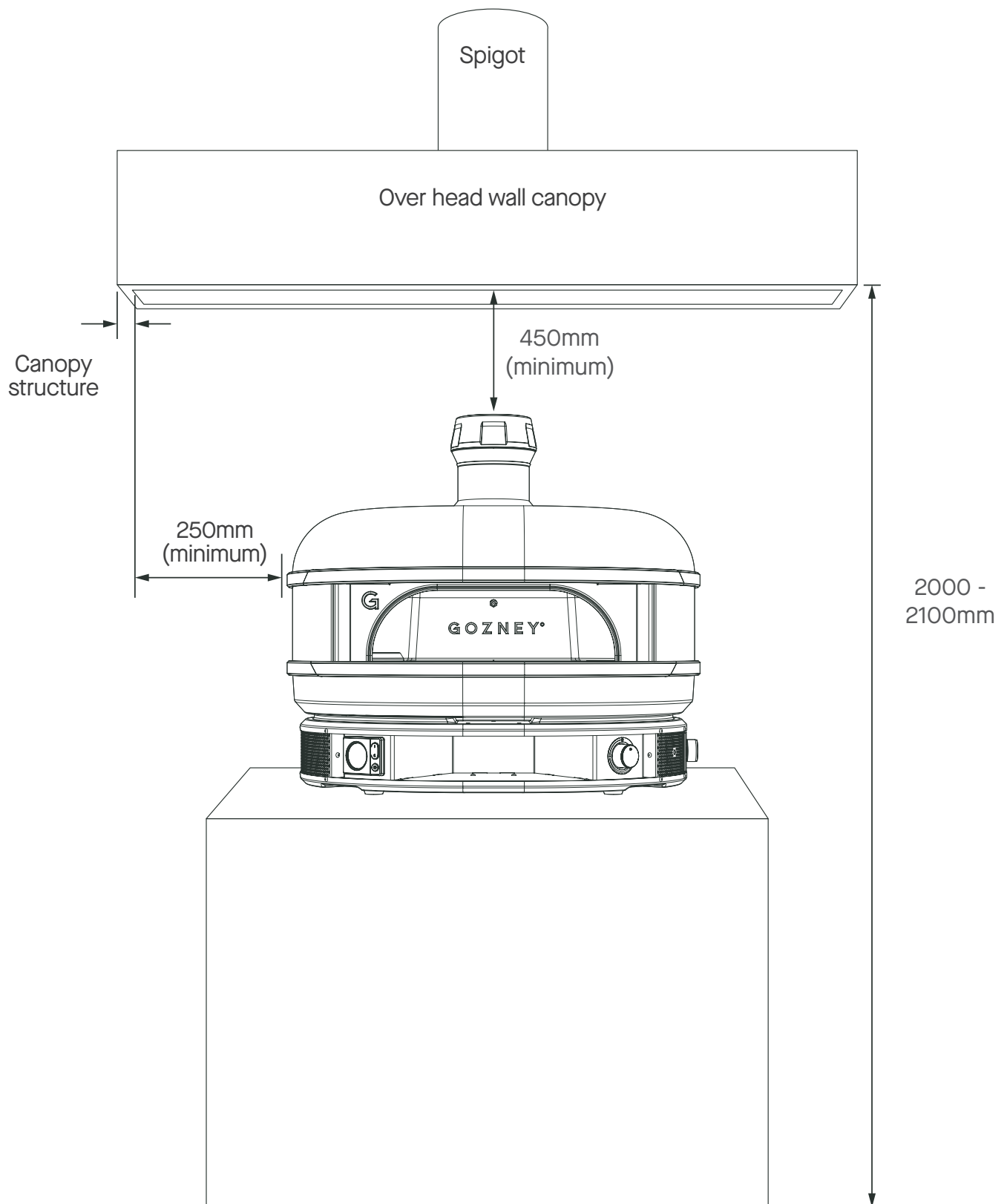
TYPICAL VENTILATION GUIDE

GOZNEY DOME



Gozney Dome

Typical ventilation setup.

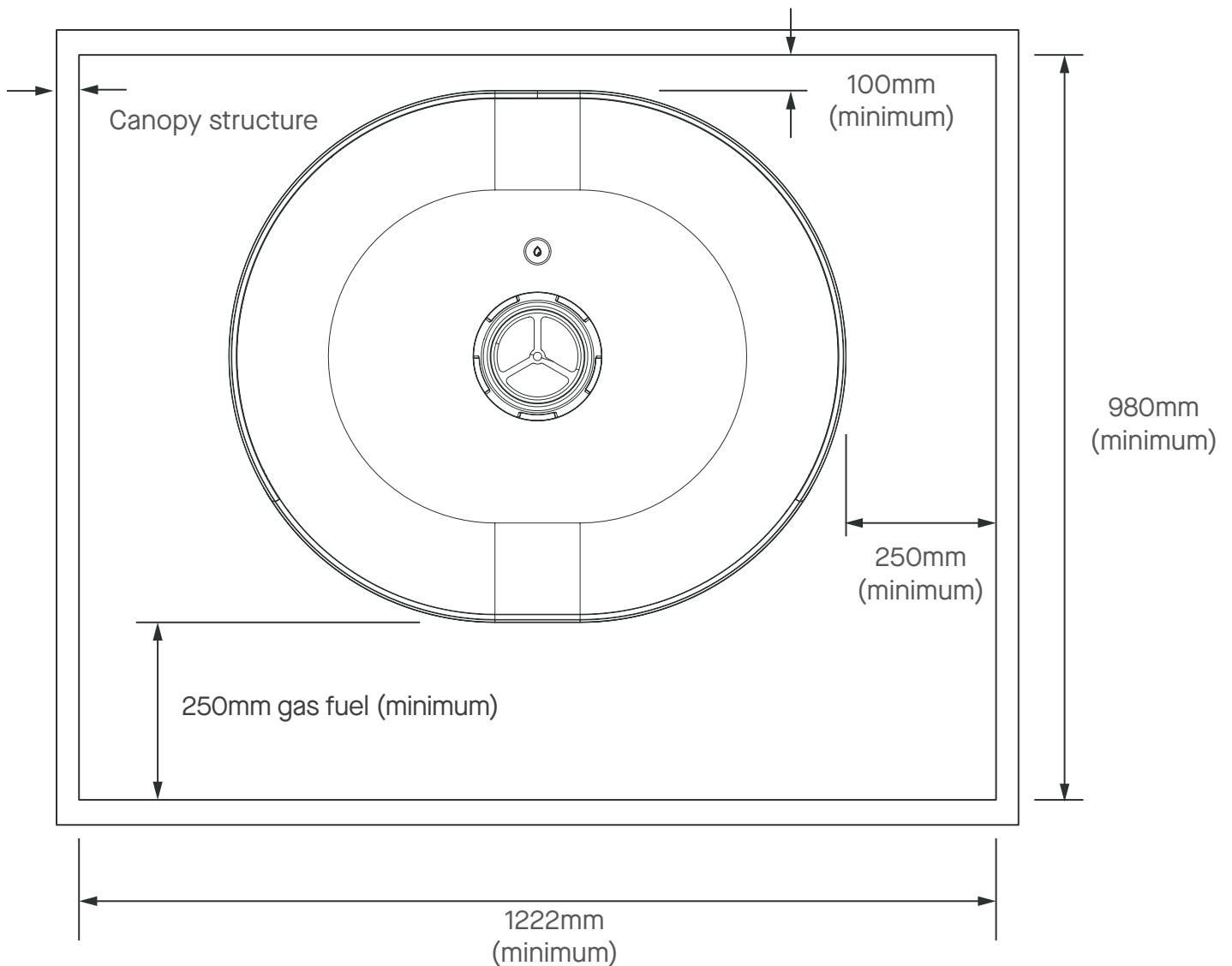


Unit 18 & 19, The Runway,
Christchurch, Dorset.
BH23 4FL.

w www.gozney.com
e enquiries@gozney.com
t +44 (0)1425 204 999

GOZNEY°

Gozney Dome



Duct flow rate guide

Fuel Type	Flow Rate
Gas	0.2 m ³ /s (425 CFM)

Canopy extraction must take emissions outside of the building to atmosphere. Please note, the above is a guide only. Extraction regulations can vary based on your location. Please refer to local codes and regulations for requirements in your area.

